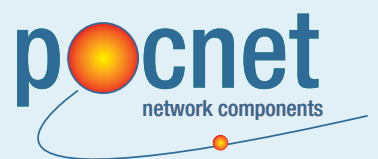




# Outdoor Polymeric Terminations



Accessories for high voltage  
polymeric cables

## About us

Prysmian Cables & Systems is a world-class multinational company. Founded in 1872 as "Ditta Pirelli & C.", it has achieved a leading position for more than a century of operations in its two key international markets - "Energy Cables and Systems" and "Telecom Cables & Systems".

Prysmian Cables and Systems is the world's largest manufacturer of power and telecommunications cables, with 52 manufacturing facilities in 21 countries in five continents and a market share in excess of 10%.

Prysmian Energy Cables and Systems is a global solutions provider, offering a wide range of integrated solutions, such as cable systems, system design and engineering, project management, installation and post-sale services.

Prysmian Energy Cables and Systems concentrates on continuous product innovation and on achieving a competitive edge by focusing on research and development. This is done through Prysmian's own R&D centres and by co-operating with universities, scientific institutions and above all, our customers. Prysmian's world-wide organisation makes and delivers advanced technological solutions to customers anywhere in the world.

Prysmian started manufacturing insulated cables for electric power distribution around 1880 and soon afterwards initiated the development of the first cable accessories.

Prysmian's very long and successful experience in HV and EHV cable systems have lead to the development of a comprehensive range of accessories for extruded dielectric cables.

A relentless R&D effort focused on rubber compounds as well as on electrical design has created accessories for all applications, based on pre-moulded and factory tested joint sleeves and termination stress cones that are recognised worldwide for their unsurpassed reliability.



## Stress cone basics

The origin of the current product range of accessories for HV polymeric cables dates back to 1978 when Prysmian, strong of its very long and successful experience in Fluid Filled cable systems developed its first generation of accessories for extruded cable systems.

These accessories are based on pre-moulded electrical components, i.e. stress cones for terminations and one-piece sleeves for joints.

Pre-moulded sleeves and stress cones are currently available for HV polymeric cables from 72.5 kV up to 525 kV and adopt the same design at all voltage classes.

Thanks to its outstanding electrical and mechanical properties, ethylene-propylene rubber (EPR) has been favoured for the rubber mouldings manufacture. After a thorough research on rubber compounds properties, Prysmian developed a proprietary formulation with superior characteristics that is manufactured in-house, which guarantees an unsurpassed reliability of the products.

The mechanical properties of Prysmian special compounds ensure a constant pressure at the cable/moulding interface during the entire lifetime of the accessories, whilst the electrical design has been optimised to minimise the electrical stress concentration in the same area. Prysmian one-piece pre-moulded sleeves and stress cones are completely manufactured in-house.

The moulding process has been refined thanks to the long-standing presence of Prysmian in the rubber industry; each single moulding is mechanically and electrically tested in the factory (the applied electrical test parameters are stricter than those established by the international standards) and certified individually.

Prysmian HV Accessories quality system complies with both ISO 9001 and ISO 14001 standards. Prysmian HV accessories based on EPR mouldings represent a highly reliable solution that is considered a key component in the safe operation of a HV cable system.

The reliability of its HV accessories has made Prysmian the worldwide market leader in terms of design and quality and all major power Utilities consider Prysmian products the benchmark in terms of performance and service.

## Product range

Prysmian porcelain termination solutions - based on EPR pre-moulded stress cones - include a wide range of products for the connection of underground circuits and overhead lines. The extensive experience with polymeric insulators has allowed Prysmian to develop, for each voltage class, a comprehensive range of terminations including several different creepage distances. Polymeric outdoor terminations are light, easy to install and resistant to vandalism, this is why, nowadays, they are widely used. Furthermore, all pre-moulded stress cones undergo factory testing to check for manufacturing defects. This ensures that, once the termination is assembled, its reliability can be compared to that of the cable it is fitted on.

The pre-moulded stress cones, available for a wide range of cable sizes, are designed to fit with controlled interference over the cable insulation and to follow the cable's diameter variations. At the same time, they guarantee a sufficient positive pressure to control the electric field concentration under any service condition.

The terminations are filled with an insulating compound up to a level where the electric field is substantially reduced. The terminations base plates and the cable's metallic screen are electrically insulated from the supporting structure by means of stand-off insulators, designed to withstand both mechanical and electrical operating stresses.

## Dry design terminations

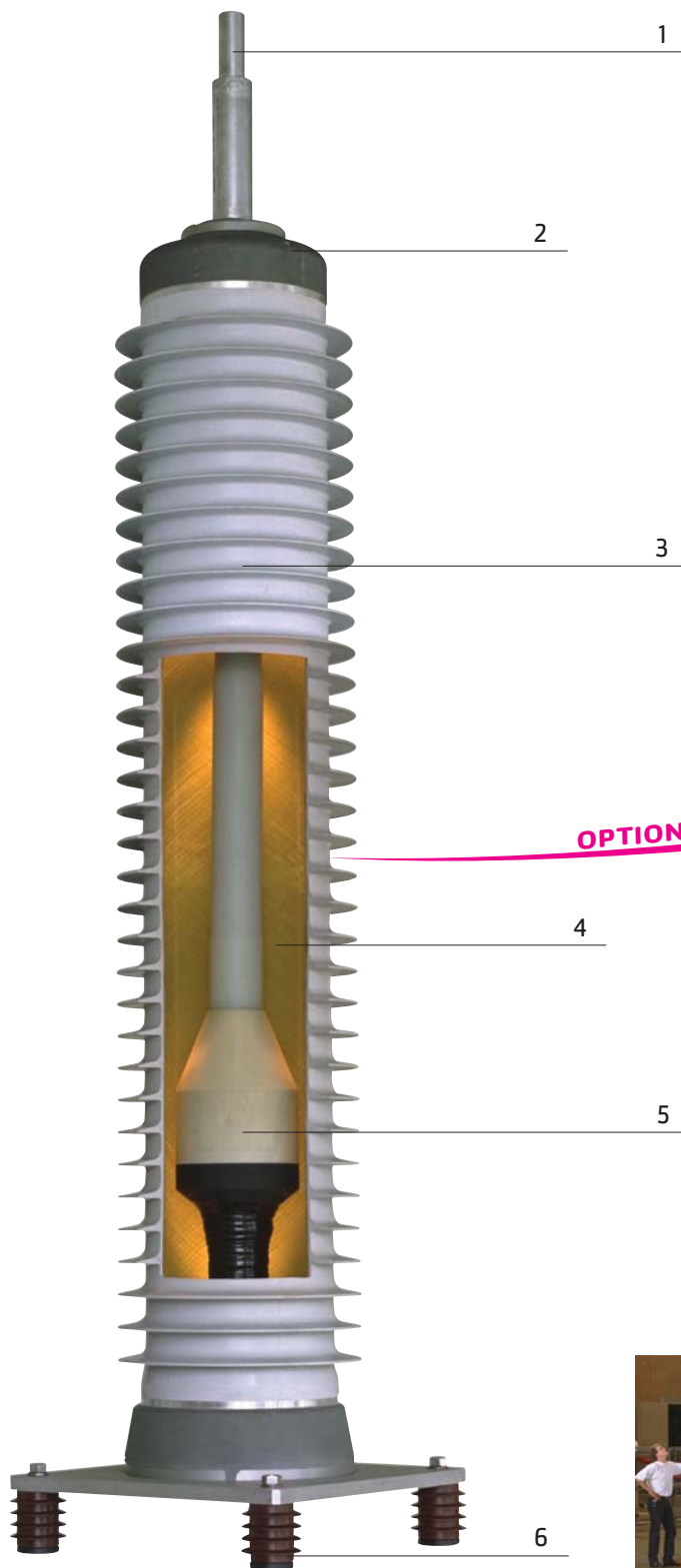
Prysmian's latest development in the field of outdoor terminations is a new type of filling medium that replaces the traditional silicon fluid.

The new patented medium is a special compound that becomes partially solid within a short time after the filling of the termination, thus avoiding any possibility of leakage. Nevertheless, the compound remains sufficiently elastic to withstand even the highest difference in temperature (following the thermal expansion of the rubber components inside the termination).



# Polymeric terminations

available from 72,5 kV up to 420 kV



OPTIONAL FEATURES



## Legend

- 1 OHL connection stalk
- 2 Corona
- 3 Insulator
- 4 Filing medium
- 5 Stress cone
- 6 Stand-off insulators

# YOUR ENERGY... OUR SYSTEMS... ANYWHERE



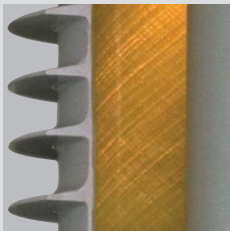
Conical / Cylindrical insulator design



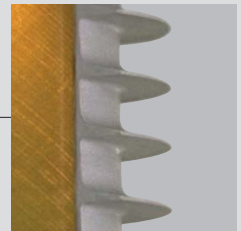
Several OHL connection stalk design/dimensions



Arching horns available on request



Different filling medium



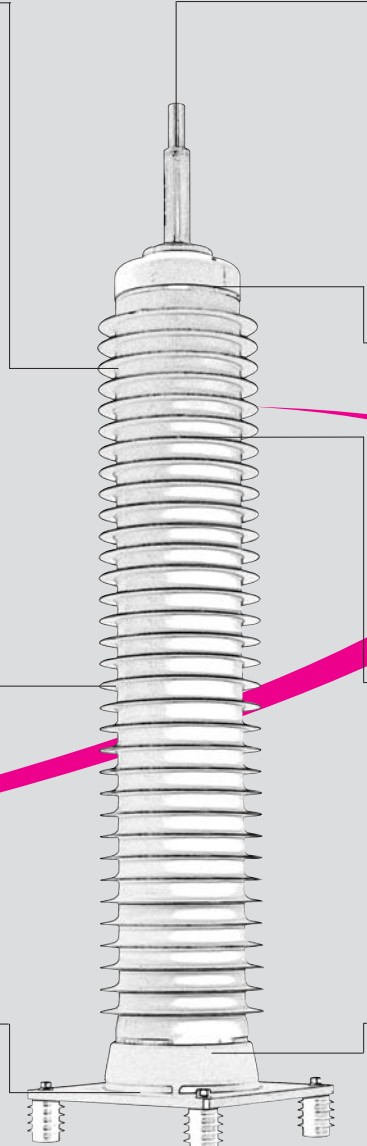
Several creepage distances



Optical fibres management on request



Partial discharge sensor port on request



## Electrical rating

U max (kV)	72,5 kV	123 kV	145 kV	170 kV	245/300 kV	420 kV
---------------	------------	-----------	-----------	-----------	---------------	-----------

Basic Impulse Level	350	550	650	750	1050	1425
IEEE 48 = 1 min AC Dry withstand	175	205	310	365	460	-
IEEE 48 = 10 sec AC Wet withstand voltage	145	190	275	315	445	-
IEEE 48 = 6 h AC Dry withstand voltage	120	160	210	250	330	-
IEC 60840 - 62067 = 15 min AC Dry withstand	90	160	190	218	320	440
IEC 71-1 = 60 sec AC Dry withstand voltage	140	230	275	325	460	-

#### ARGENTINA

Prysmian Energía Cables y Sistemas de Argentina S.A.  
Fábrica La Rosa, Av.da Argentina 6784,  
1439 Capital Federal  
tel. +54 11 4630 2000  
fax +54 11 4630 2100

#### AUSTRALIA

Prysmian Power Cables & Systems  
Australia PTY LTD  
1 Heathcote Road, Locked Bag 7042,  
Liverpool Business Centre 1871, NSW  
tel. +61 2 9600 0777  
fax +61 2 9600 0747

#### AUSTRIA

Prysmian OEKW GmbH  
Lembockgasse 47A,  
1230 Wien  
tel. +43 1 8667 70  
fax +43 1 8667 7109

#### BRAZIL

Prysmian Energia Cabos e Sistemas do Brasil S.A.  
Av. Alexandre de Gusmao 145,  
09110-900 Santo André – SP  
tel. +55 11 4998 4000  
fax +55 11 4998 4811

#### CHINA

Prysmian Cables & Systems  
1505-06, Tower A, City Center of Shanghai,  
No. 100 ZunYi Road, Shanghai 200051  
tel. +86 21 6237 1411  
fax +86 21 6237 1195

#### EGYPT

Prysmian Cables & Systems  
8 Abd El Azim Aoudallah st. Hegaz sq.,  
Heliopolis – Cairo  
tel. +20 2 2418 557  
fax +20 2 6381 327

#### FINLAND

Prysmian Cables & Systems Oy  
P.O. Box 13,  
FIN-02401 Kirkkonummi  
tel. +358 10 77551  
fax +358 9 2982204

#### FRANCE

Prysmian Energie Cables et Systèmes  
France s.a.  
Zone Industrielle du PORT AU VIN,  
GRON, 89 100 SENS  
tel. +33 3 8695 7769  
fax +33 3 8695 7781

#### GERMANY

Prysmian Kabel und Systeme GmbH  
Gartenfelder Str. 28,  
D 13599 Berlin  
tel. +49 30 3675 40  
fax +49 30 3675 4640

#### HONG KONG

Prysmian Cable Systems Pte. Ltd.  
Unit A, 18/F, China Overseas Building,  
139 Hennessy Road, Wanchai, Hong Kong  
tel. +85 2 2827 8308  
fax +85 2 2827 7212

#### HUNGARY

Prysmian MKM Magyar Hungarian Cable  
Works Co. Ltd.  
Barázda u. 38, H-1116 Budapest  
tel. +36 1 3822 222  
fax +36 1 3822 202

#### INDONESIA

PT. Prysmian Cables Indonesia  
Gedung BRI II, Suite 1502,  
Jln. Jend Sudirman No 44-46,  
Jakarta 10210  
tel. +62 264 351 222  
fax +62 264 351 780

#### ITALY

Prysmian Cavi e Sistemi Energia Srl  
Viale Sarca 222,  
20126 Milano  
tel. +39 02 6449 9492  
fax +39 02 6449 5035

#### KUWAIT

Prysmian Cables & Systems – Kuwait Office  
Villa No 4 (next to Hyatt Regency Hotel),  
Bidda – KUWAIT  
tel. +965 575 7704  
fax +965 572 5780

#### MALAYSIA

Prysmian Cable Systems Pte. Ltd.  
Lot 2 Jalan Kawat 15/18,  
40702 Shah Alam, Selangor Darul Ehsan  
tel. +60 3 5518 4575  
fax +60 3 5511 9590

#### NETHERLANDS

Prysmian Cables and Systems B.V.  
Schieweg 9, 2627 AN Delft  
P.O. Box 495, 2600 AL Delft  
The Netherlands  
tel. +31 15 260 5260  
fax +31 15 261 3808

#### NEW ZEALAND

Prysmian Cables & Systems  
71 Hugi Johnson Drive, P.O. Box 12162,  
Penrose, Auckland  
tel. +64 9 5251 260  
fax +64 9 5251 262

#### NORTH AMERICA

Prysmian Cables & Systems North America  
700 Industrial Drive,  
Lexington, SC 29072 – USA  
tel. +1 803 9511 171  
fax +1 803 9511 092

#### ROMANIA

Prysmian Cabluri si Sisteme SA  
Soseaua Draganesti, Km. 4,  
0500 Slatina  
tel. +40 49 435 699  
fax +40 49 433 484

#### RUSSIA

Prysmian Cables and Systems  
4-th str. Vosmogo Marta 6°  
building 1, 9-th floor,  
Moscow, 125167  
tel. +7 495 933-7036  
fax +7 495 933-7035

#### SINGAPORE

Prysmian Cable Systems Pte. Ltd.  
No 4 Tuas Avenue 12. 3rd Storey,  
639047 Singapore  
tel. +65 6862 9866  
fax +65 6862 9877

#### SLOVAKIA

Prysmian Kablo Bratislava  
Tovarenska 11,  
812 61 Bratislava  
tel. +421 7 50211111  
fax +421 7 52961773

#### SPAIN

Prysmian Cables y Sistemas S.L.  
Carretera C-15, Km. 2,  
08800 Vilanova i la Geltrú (Barcelona),  
tel. +34 93 811 6181  
fax +34 93 811 6011

#### THAILAND

Prysmian Cable Systems Pte. Ltd.  
555 RASA Tower 11th floor,  
Phaholyothin Road, Lardyao, Chatuchak,  
Bangkok 10900  
tel. +66 2 9370 316  
fax +66 2 9370 318

#### TURKEY

Turk Prysmian Kablo ve Sistemleri A.S.  
Buyukdere Caddesi No 117,  
34394 Gayrettepe, Istanbul  
tel. +90 212 3551 500  
fax +90 212 2175 810

#### U.A.E. (Dubai)

Prysmian Cables and Systems Middle East  
P.O. Box 72125,  
Dubai  
tel. +971 4 345 7870  
fax +971 4 345 7101

#### UK

Prysmian Cables & Systems Limited  
P. O. Box 6, Leigh Road,  
Eastleigh, Hampshire, SO50 9YE  
tel. +44 2380 2955 55  
fax +44 2380 2951 11